

16A Metal hoods/housings

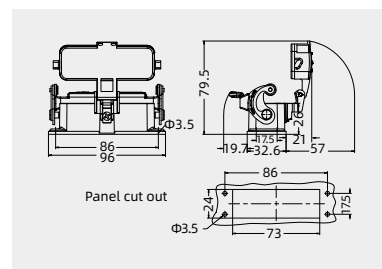
Degree of protection: IP65

Bulkhead mounted housings



Thread	Designation	Order No.
---	H16A-BK-1L/SC	110 016 321 1001
---	with plastic cover	
---	H16A-BK-1L/SC-CV	110 016 361 1001
---	with metal cover	
---	H16A-BK-1L/SC-MCV	110 016 361 1101

Please refer to page 15-02 for choosing proper model of lock.



Surface mounted housings

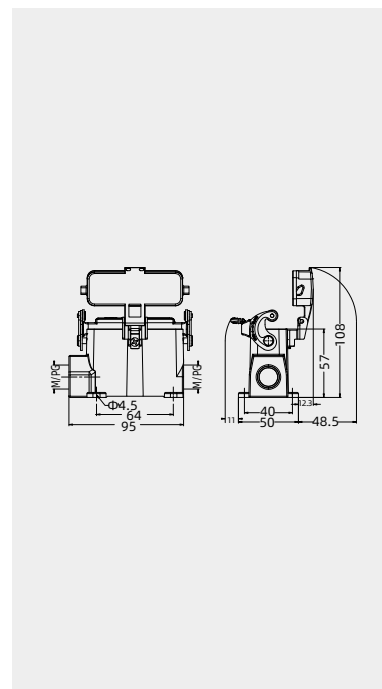


Thread	Designation	Order No.
M20	H16A-SF-1L/SC-M20	110 016 221 1002
2M20	H16A-SF-1L/SC-2M20	110 016 221 1022
M25	H16A-SF-1L/SC-M25	110 016 221 1003
2M25	H16A-SF-1L/SC-2M25	110 016 221 1023
PG16	H16A-SF-1L/SC-PG16	110 016 221 1010
2PG16	H16A-SF-1L/SC-2PG16	110 016 221 1030
PG21	H16A-SF-1L/SC-PG21	110 016 221 1011

with plastic cover		
M20	H16A-SF-1L/SC-CV-M20	110 016 261 1002
2M20	H16A-SF-1L/SC-CV-2M20	110 016 261 1022
M25	H16A-SF-1L/SC-CV-M25	110 016 261 1003
2M25	H16A-SF-1L/SC-CV-2M25	110 016 261 1023
PG16	H16A-SF-1L/SC-CV-PG16	110 016 261 1010
2PG16	H16A-SF-1L/SC-CV-2PG16	110 016 261 1030
PG21	H16A-SF-1L/SC-CV-PG21	110 016 261 1011

with metal cover		
M20	H16A-SF-1L/SC-MCV-M20	110 016 261 1102
2M20	H16A-SF-1L/SC-MCV-2M20	110 016 261 1122
M25	H16A-SF-1L/SC-MCV-M25	110 016 261 1103
2M25	H16A-SF-1L/SC-MCV-2M25	110 016 261 1123
PG16	H16A-SF-1L/SC-MCV-PG16	110 016 261 1110
2PG16	H16A-SF-1L/SC-MCV-2PG16	110 016 261 1130
PG21	H16A-SF-1L/SC-MCV-PG21	110 016 261 1111

Please refer to page 15-02 for choosing proper model of lock.

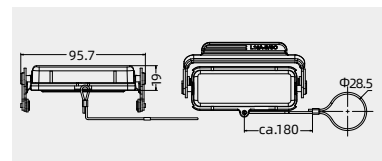


Protection covers



Connect way	Applications	Designation	Order No.
	for hoods	H16A-MCV-1L/SC.1	110 016 021 8101

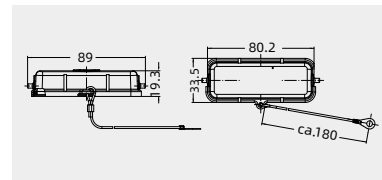
Please refer to page 15-02 for choosing proper model of lock.



Protection covers



Connect way	Applications	Designation	Order No.
	for housings	H16A-MCV-2B/1S	110 016 010 8101
	for housings	H16A-MCV-2B/2S	110 016 010 8102



Protection covers



Connect way	Applications	Designation	Order No.
	plastic cover (for housings)	H16A-CV-2B/2	110 016 010 8101

